

DOOR PREPARATION - READ THIS FIRST!

Before installing your new Brinks Handleset, please refer to the separate Door Preparation Instructions. Proceed with the instructions below only after you have confirmed that your door has been properly prepared.

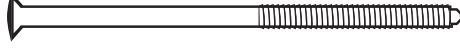
Patent Pending

Included Hardware for Handleset Deadbolt Installation

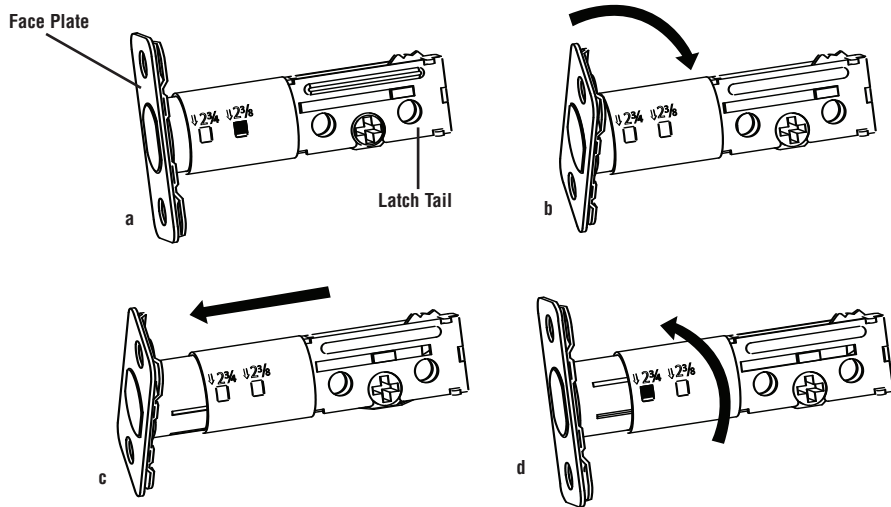
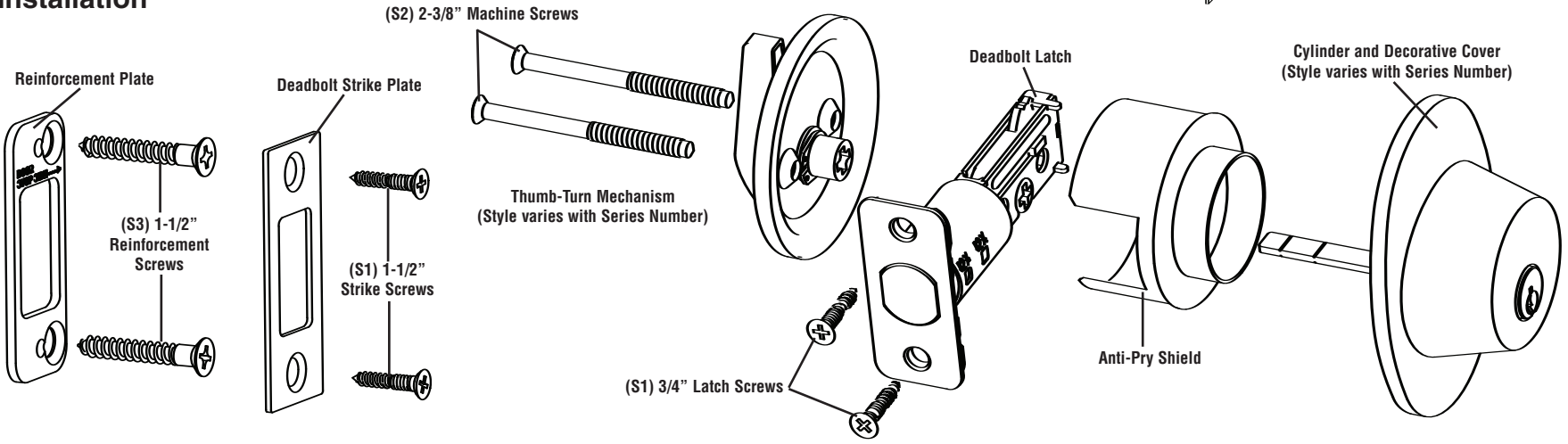
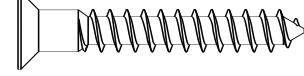
S1 3/4" (19mm) • Qty 4



S2 2-3/8" (60mm) • Qty 2



S3 1-1/2" (38mm) • Qty 2



DEADBOLT INSTALLATION

1

Select Proper Backset

The backset is the distance from door edge to center of deadbolt cylinder hole. Latch can be adjusted to fit either a 2-3/8" (60 mm) or a 2-3/4" (70 mm) backset. The latch is pre-set at a 2-3/8" backset from the factory.

To adjust backset from 2-3/8" (60mm) to 2-3/4" (70mm):

- Retract latch bolt.
- Hold latch faceplate in the left hand and latch tail in the right hand.
- Twist latch faceplate clockwise (towards you) about 1/8 of a turn.
- Pull latch faceplate out towards left until it stops.
- Rotate counterclockwise back into position so that locking notch is engaged in hole marked "2-3/4".

To adjust the backset from 2-3/4" (70mm) to 2-3/8" (60mm):

- Retract latch bolt.
- Hold latch faceplate in the left hand and the latch tail in the right hand.
- Twist latch faceplate clockwise (towards you) about 1/8 of a turn.
- Push latch faceplate in towards the right until it stops.
- Rotate counterclockwise back into position so that locking notch is engaged in hole marked "2-3/8".

2

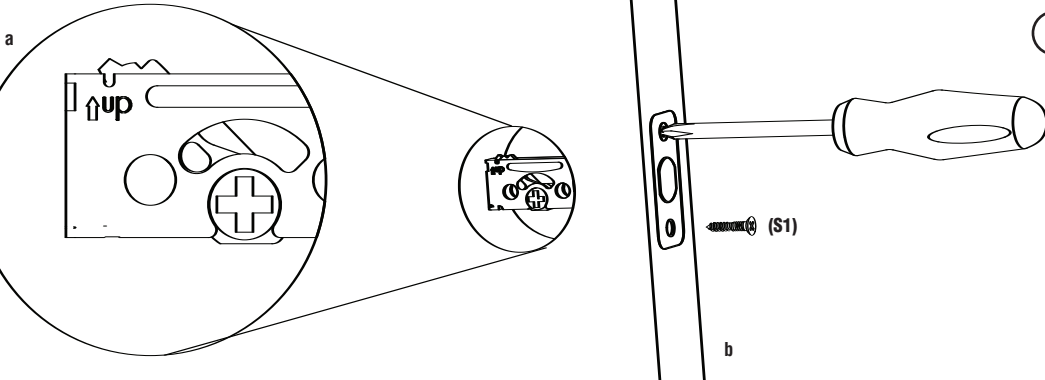
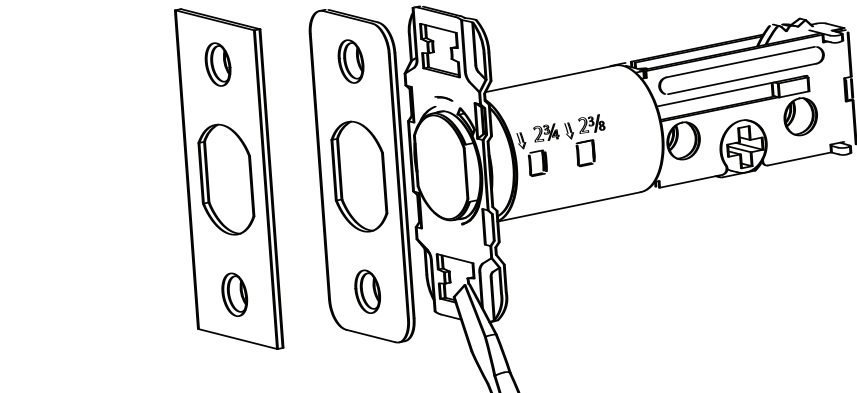
Select the desired faceplate.

- Determine appropriate faceplate design (square or rounded corners) to match faceplate cutout in door.
- If desired faceplate is not already on latch, remove existing faceplate by separating faceplate from latch and "snap" on desired faceplate.

3

Install the Latch.

- Insert latch into side hole of door making sure that the "cross" shaped crank is located at bottom of the latch.
- Using two 3/4" (19mm) Wood/Machine thread screws (**S1**) assemble the latch to the door. Tighten screws firmly.

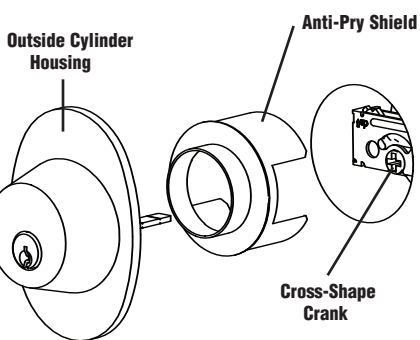


4

Installing the Anti-Pry Shield.

- Insert the anti-pry shield into deadbolt hole from EXTERIOR SIDE of door.

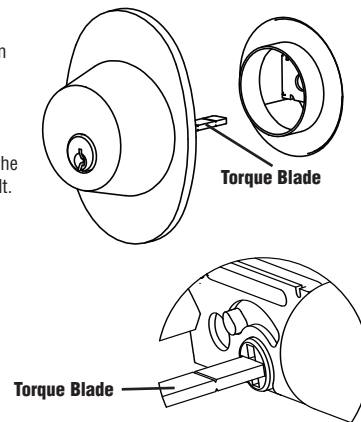
Note: For existing doors with a deadbolt hole less than 2-1/8", it may be preferable not to use the anti-pry shield. Installing the deadbolt without the shield will not affect the function of the deadbolt.



5

Install the EXTERIOR Deadbolt Cylinder.

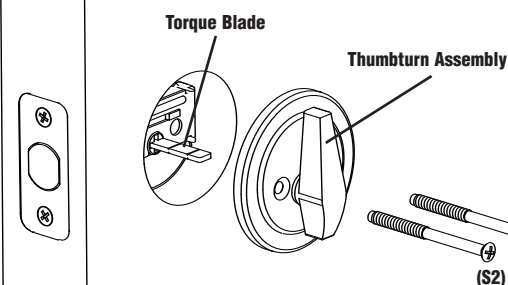
- Insert the exterior deadbolt cylinder through the hole in the door and flush against the door, making certain that the torque blade is properly positioned in the latch crank. THE TORQUE BLADE SHOULD BE INSERTED HORIZONTALLY THROUGH THE LATCH CRANK WHEN THE LATCH IS IN THE RETRACTED POSITION. Tapped holes in the housing of the exterior cylinder should be lined up with the screw holes. The keyhole will be in the down position.



6

Install the Interior Thumb-turn Mechanism.

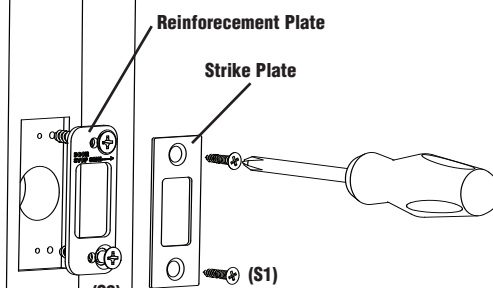
- Position Thumb-turn mechanism onto torque blade and push flush against door.
- For thinner doors, it may be necessary to shorten the length of the torque blade. To shorten, break torque blade at the pre-notched location on blade.
- Insert two 2-3/8" (60mm) long machine screws (**S2**) through holes in the thumb-turn engaging holes in the exterior cylinder and tighten firmly.



7

Install the Deadbolt Strike Plate.

- Install 4-hole reinforcement plate using two 1-1/2" (38mm) long wood screws (**S3**). Install 2-hole strike plate cover on top of reinforcement plate using two 3/4" (19mm) long wood/machine thread screws (**S1**).



DOOR PREPARATION - READ THIS FIRST!

Before installing your new Brinks Handleset, please refer to the separate Door Preparation Instructions.

Proceed with the instructions below only after you have confirmed that your door has been properly prepared.

Patent Pending

Included Hardware for Handleset Deadbolt Installation

S1 3/4" (19mm) • Qty 2



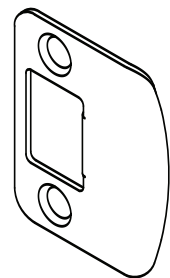
S2 1-1/2" (38mm) • Qty 3



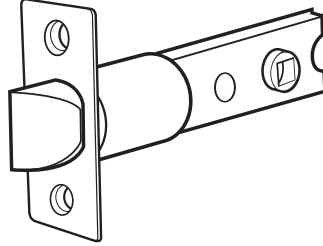
S3 1-1/2" (38mm) • Qty 2



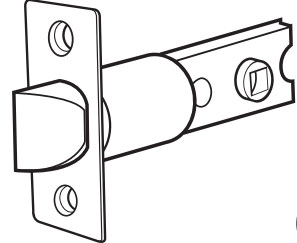
Handleset Strike Plate



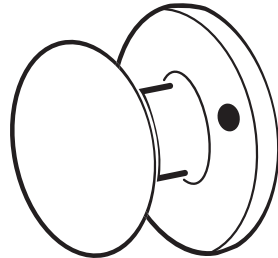
Handleset Latch (2-3/4" Backset)



Handleset Latch (2-3/8" Backset)

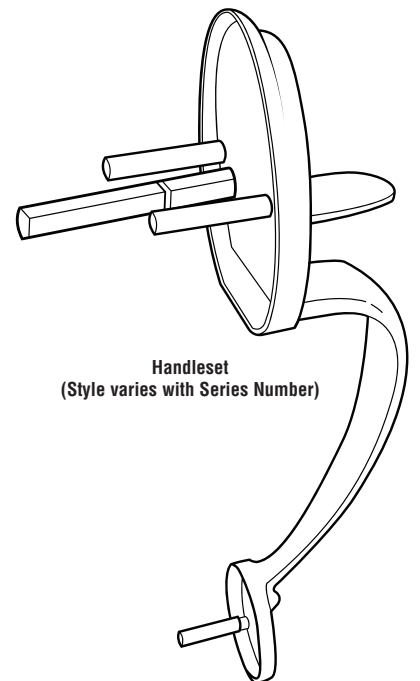


Interior Knob
(Style varies with Series Number)

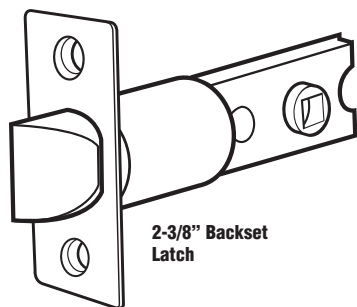
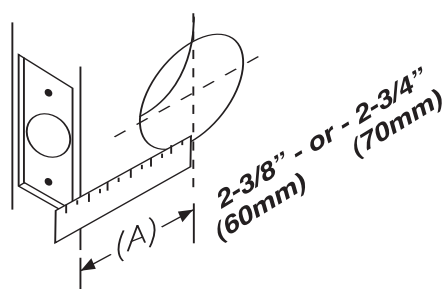


Screw Cover

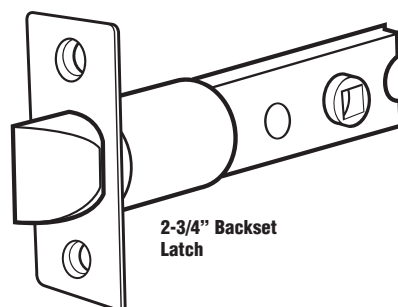
Beveled Washer



Handleset
(Style varies with Series Number)



2-3/8" Backset Latch



2-3/4" Backset Latch

1

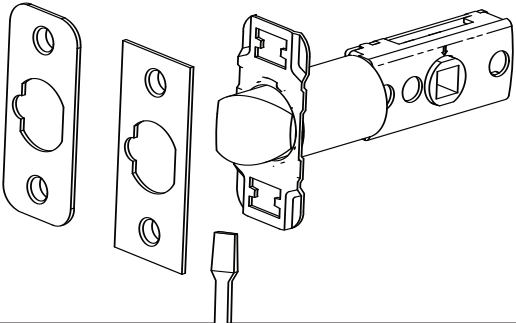
Select the appropriate latch based on the door backset.

The backset is the distance from door edge to center of hole on the door face. Included are two latches, one for a 2-3/8" (60mm) backset and another longer latch for a 2-3/4" (70mm) backset. Select the appropriate latch for your door.

2

Select the desired faceplate.

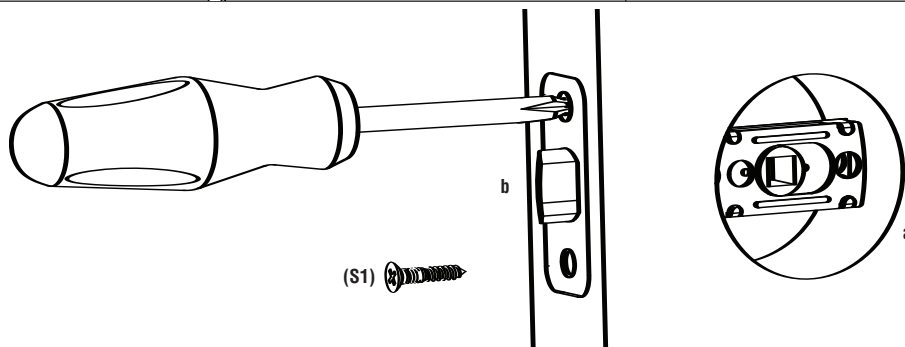
- Determine appropriate faceplate design (square or rounded corners) to match faceplate cutout in the door.
- If desired faceplate is not already on latch, remove existing faceplate by separating faceplate from latch and "snap" on desired faceplate.



3

Install the Latch.

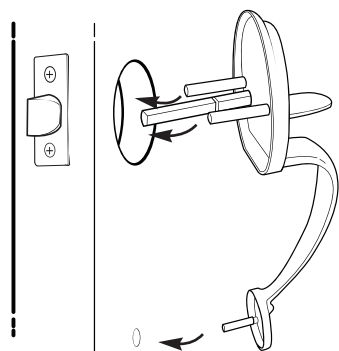
- Insert latch into side hole of door making sure that beveled face of latch is towards door jamb.
- Using two 3/4" (19mm) Wood/Machine thread screws (**S1**) assemble latch to door. Tighten screws firmly.



4

Install the Outside Handleset

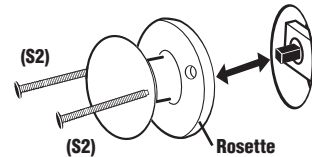
- Insert square drive spindle of the handleset through square crank in latch.
- Align screw post at bottom of handle with pre-drilled 5/16" (8mm) hole.
- Push handleset flush against door.



5

Install the Interior Knob.

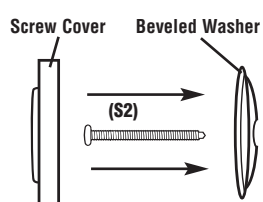
- Position interior knob onto square drive spindle so that screw holes are aligned with screw posts on either side of spindle.
- Insert and tighten two 1-1/2" (38mm) long machine screws (**S2**) through the rosette of the knob.



6

Complete the Handleset Installation.

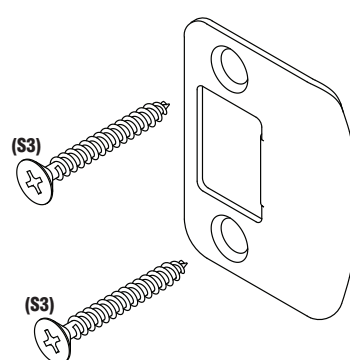
- Insert the 1-1/2" (38mm) long machine screw (**S2**) through beveled washer (bubble towards door) into the internally threaded post at the bottom of handleset. Tighten firmly.
- Snap on decorative screw cover onto beveled washer.



7

Install the Handleset Strike Plate.

- Install strike plate using two 1-1/2" (38mm) wood screws (**S3**) and tighten firmly.



LIFETIME WARRANTY - FINISH & MECHANICAL

This product is fully warranted to be free of defects in material and workmanship for the life of the product. If a defect in material or workmanship occurs, call 800-562-5625 for instructions on how to have it replaced or repaired free of charge. This warranty is null and void if the lock was used for purposes for which it was not designed. NOT LIABLE FOR INCIDENTAL, INDIRECT, OR CONSEQUENTIAL DAMAGES. Some states do not allow the exclusion or limitation of incidental or consequential damages, so the above limitation or exclusion may not apply to you. This warranty gives you specific rights, and you may also have other rights that vary from state to state.